

# ViscoFuel 1600

## FOR FUEL CONDITIONING



System can use any process sensor (SPL-392 sensor shown above)



### ViscoPro Advantages 主要特性：

- Accurate, reliable and user friendly
- One year manufacturers warranty
- Automatic “driven” two-way self cleaning
- Not affected by vibrations, flow or particles
- One moving part - NO seals
- Rugged stainless steel construction
- Internal RTD detects operating temperature

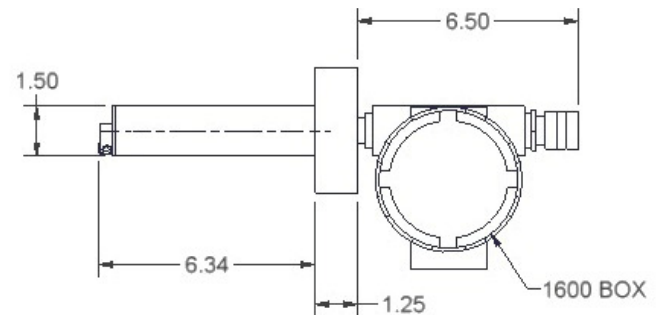
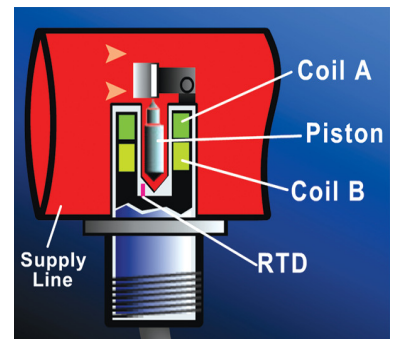
### Simple in-line real time & temperature viscosity

Cambridge Viscosity, Inc. has been manufacturing fuel viscosity monitoring and control systems for 20 years. Our new ViscoFuel 1600, based on our proven reliable technology, provides real-time monitoring of temperature and viscosity (cP, cSt, SSU).

Two coils (A+B) move the piston back and forth magnetically at a constant force. Proprietary circuitry analyzes the pistons two-way travel time to measure absolute viscosity. A deflector, positioned over the piston, diverts a very small amount (only 0.03 ounces (1 ml.) of fluid) to get an accurate reading. This feature, coupled with the constant driven piston motion, keeps the sample fresh and mechanically scrubs the chamber. A built-in temperature detector (RTD) senses actual temperature in the measurement chamber and factors this into a temperature normalized viscosity reading. The sensor and electronics are extremely small 5.5”x 8” (14 cm x 20 cm).



ViscoPro sensor



### TECHNICAL SPECIFICATIONS 技术参数：

|                              |   |
|------------------------------|---|
| Viscosity Range <sup>1</sup> | 2.5 - 100 centipoise [cP] (cSt or SSU also available)   |
| Viscosity Accuracy           | ± 1.0 % of full scale   |
| Viscosity Repeatability      | ± 0.8 % of reading  |
| Sensor Type                  | Electromagnetic-U.S. and Worldwide patents granted and applied  |
| Wetted Components            | 316L / 430 Stainless Steel  |
| Maximum Temperature          | 375°F (190°C)   |
| Temperature Sensor Type      | 4 wire Platinum RTD   |
| Communications               | 4-20 mA / RS485   |
| Power                        | 12 VDC (AC Power options available)   |
| Certifications               | CE, ATEX - EEx d IIC T5, -20C < Ta < 60C<br>EEx d IIC T2, -20C < Ta < 190C (For SPL Models)<br>EEx d IIC T1, -20C < Ta < 375C (For HTL Models)<br>Factory Mutual - Class 1 Div.1, Group C,D:T3 NEMA4, IP-66 |

1) 2.5 - 50 cP or 5-100cP



**Cambridge Viscosity®**  
苏州泰恩机电设备有限公司

苏州泰恩机电设备有限公司

联系人：方小姐

联系电话：0512-62533676

手机：15962109934

公司网站：www.viscoking.com

电子邮箱：sale@viscoking.com

地址：苏州工业园区钟南街388号